

18PA SERIES  
CHART I.

M

DRAWING NUMBER

ISSUE

3

4

REVISIONS

2	2/20/54	W
1	8/27/49	W
1	2/27/49	W
1	3/21/53	W
1	2/2/58	W

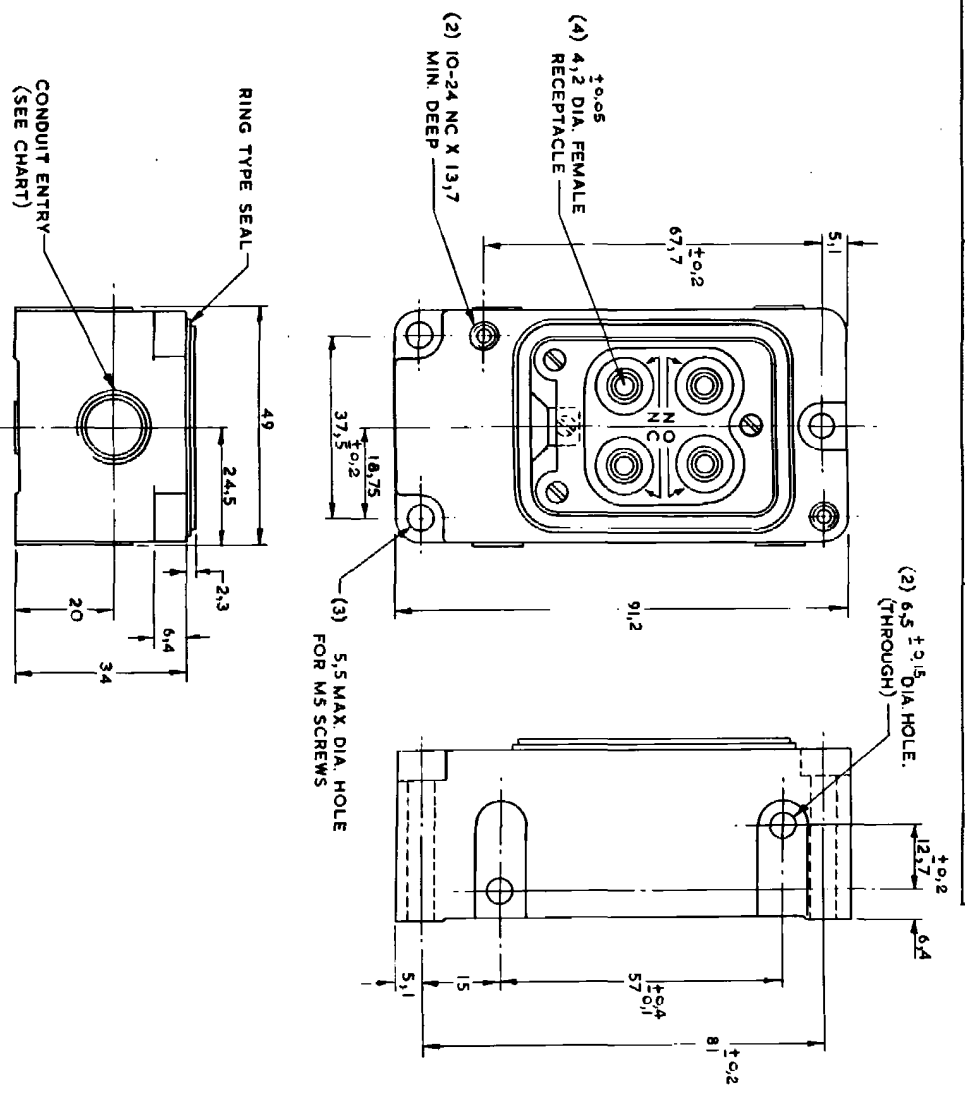
RELEASE No. MSEN 32-C

REPLACES

Honeywell

TERMINAL BLOCK-  
ENCLOSED

CATALOGUE LISTING  
18PA SERIES  
CHART I.



THE COPYRIGHT OF THIS DRAWING IS THE PROPERTY OF HONEYWELL LTD. THE DRAWING IS SUPPLIED IN CONFIDENCE AND MUST NOT BE USED FOR ANY PURPOSE OTHER THAN THAT FOR WHICH IT IS SUPPLIED.

CHARACTERISTICS

ELECTRICAL DATA

CONTACT ARRANGEMENT

BREAK DISTANCE

SCALE 1:1

OPERATING FORCE

DIFFERENTIAL FORCE

RELEASE FORCE

RETRAVEL

DIFFERENTIAL TRAVEL

OVERTRAVEL

FREE POSITION

DIMENSIONS ARE IN MILLIMETRES

TOLERANCES UNLESS OTHERWISE STATED

± 0.4

ANGULAR

NOTE:-  
1- ALUMINIUM HOUSING FINISHED IN GREY PAINT  
2- TERMINAL BLOCK IS REMOVABLE FOR WIRING  
(4) 4 MM. TERMINAL SCREWS AND WASHERS.

CONDUIT ENTRY	REL. No.	CH'D BY	1 \$ U E	CATALOGUE LISTING
20 MM. TO BS 4568	CN-20736W	R.M.	3	18PA1-4C
PG 11	CN-20736W	R.M.	3	18PA1-4PG11
PG 13,5	CN-20736W	R.M.	3	18PA1-4PG

DRAWN

3. 7. 73.

THRU

J.M.

22. 2. 78.

CHECK

R.M.

# Mouser Electronics

Authorized Distributor

Click to View Pricing, Inventory, Delivery & Lifecycle Information:

[Honeywell:](#)

[18PA1-4C](#)